

Adaptive Ladder Hanger

The **Adaptive Ladder Hanger** is designed for mount on offshore wind turbines TPs.

USE

The **Adaptive Ladder Hanger** can be used in case of

- * Unavailable or malfunctioning hoisting equipment
- * A breakdown
- * Lack of power on the TP

It can also be used in the turbine erection phase.

The **Adaptive Ladder Hanger** is designed and approved for a maximum load of 200 kg

The **Adaptive Ladder Hanger** is type approved according to *DNV-ST-0378 – Loose Gear* and is fully approved for offshore purposes and environments.

Ladder rung loading depends on TP layout - specifically rung distances. Specific ladder rung load scenarios can be obtained by contacting Seasight Solutions.

The **Adaptive Ladder Hanger** can be hooked onto an existing ladder. It can be used for hoisting:

- * Installation- and maintenance tools
- * Auxiliary equipment
- * Any supplementary tools.

TRANSPORT & MOUNT

The **Adaptive Ladder Hanger** is designed to be folded and fitted without any tools. It can be handled by hand and is folded and locked with one positioning bolt.

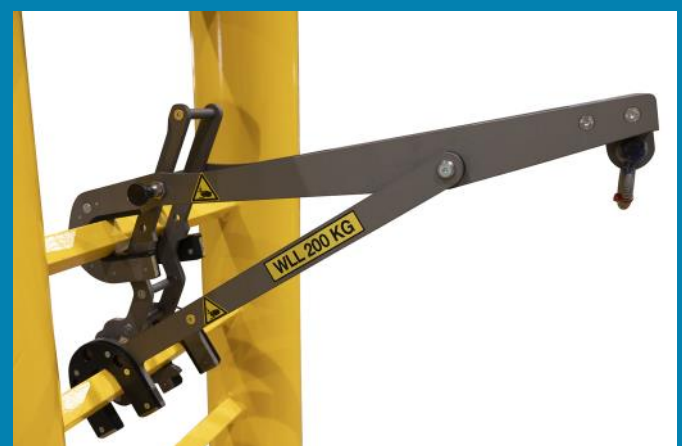
The **Adaptive Ladder Hanger** will be attached to the rungs of the TP ladders, which afterward is used together with the hoisting appliance for hoisting the needed equipment.

The **Adaptive Ladder Hanger** is designed to maximize head clearance on the TP ladder, as it provides a hoisting point leveled with the highest rung on the ladder.

The **Adaptive Ladder Hanger** is designed to be mounted with a hoisting appliance, i.e. Skylotec's Actsafe, powered by an ascend device.

SURFACE PROTECTION

The **Adaptive Ladder Hanger** is equipped with protective thermoplastic sleeves on the parts interacting with the TP ladder, which reduces the surface pressure on the coating.



Adaptive Ladder Hanger

DATA

Max load 200 kg

Net weight 7.8 kg

Dimensions
(folded for transport)

Height - 153 mm

Length - 942 mm

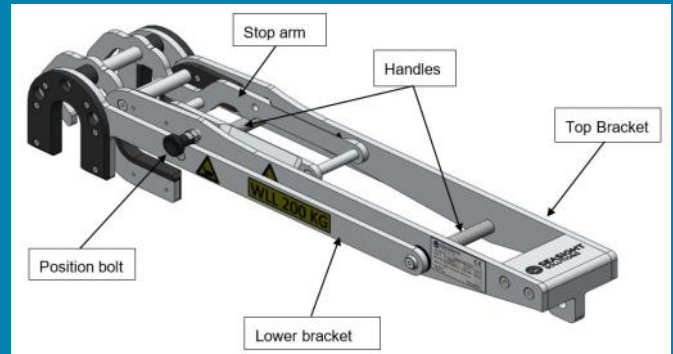
Width - 209 mm

Material Aluminium

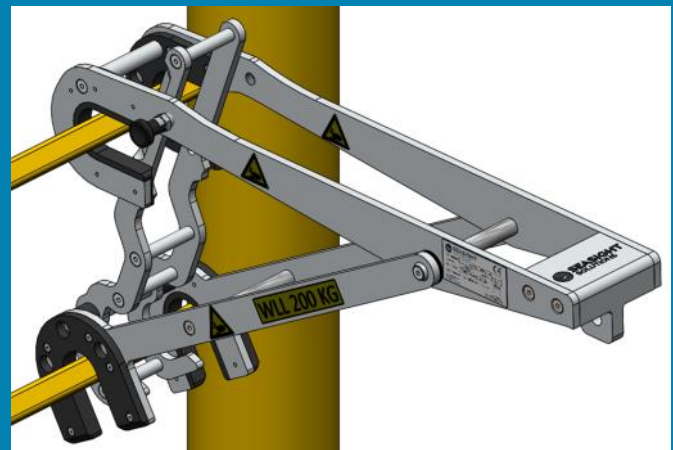
Operating temperature
-20°C - +45°C

Rung distance capacity (according to ISO 14122-4)
Min 225 mm
Max 300 mm

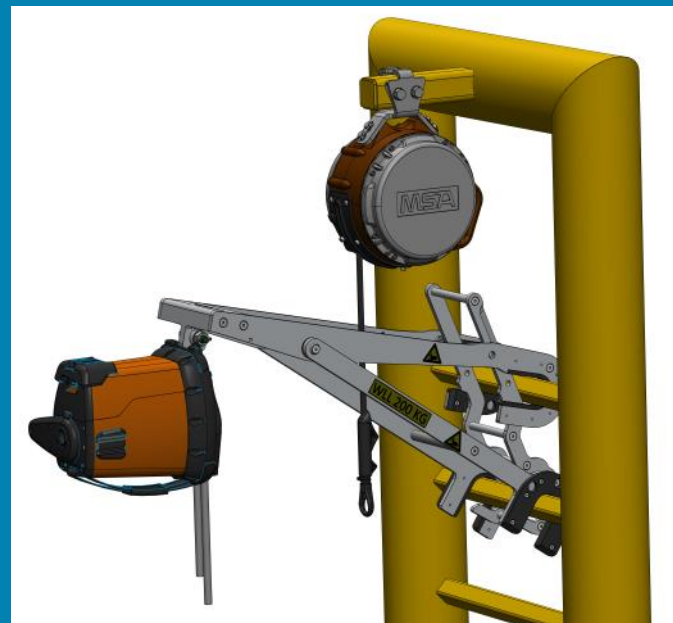
Rung geometry compliance
Diameter $\varnothing 30$ mm – $\varnothing 40$ mm
Rungs Diamond rungs
Standard rungs



Adaptive Ladder Hanger closed (transport mode)



Adaptive Ladder Hanger mounted on a ladder locked with stop arm / position bolt



Adaptive Ladder Hanger mounted with hoisting appliances